



# STYLEFLOW<sup>®</sup> AIR QUA

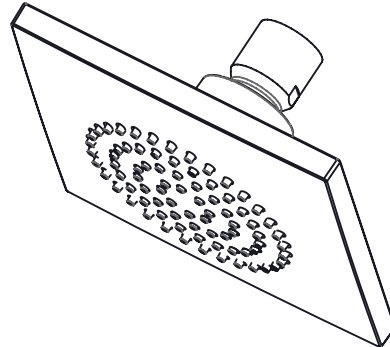
California Faucets<sup>®</sup>

4-3/4" SINGLE FUNCTION CONTEMPORARY SHOWERHEAD

## Features

- 1/2" FIP inlet
- Air induction technology
- Single function showerhead
- Self cleaning rubber jets
- Solid brass pivot ball, ABS body
- 4-3/4" square finished face
- Replace .FR with desired max flow rate:
  - SH-431.25 for 2.5 gpm
  - SH-431.20 for 2.0 gpm
  - SH-431.18 for 1.8 gpm
  - SH-431.15 for 1.5 gpm

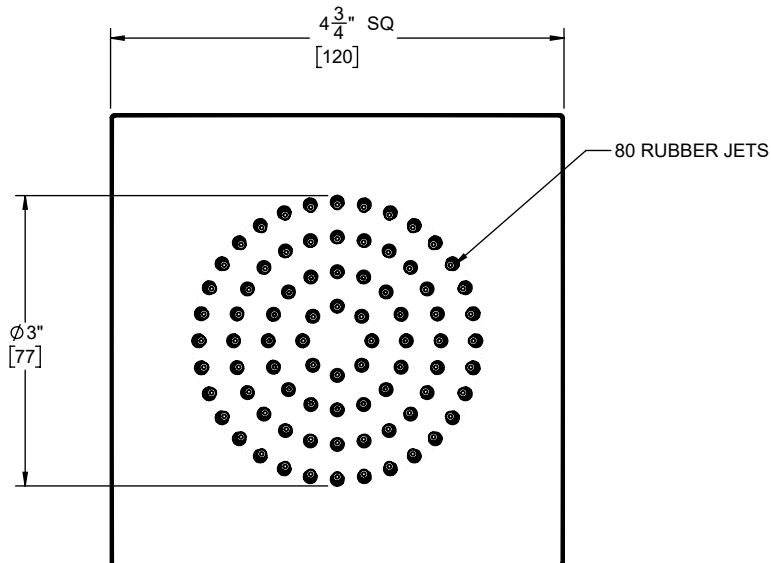
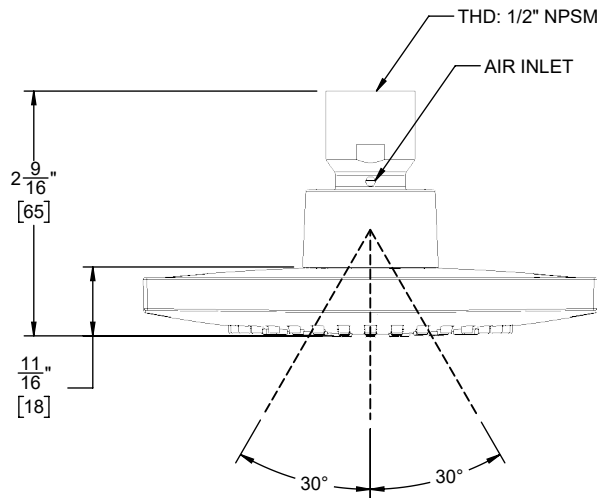
SH-431.25  
 SH-431.20  
 SH-431.18  
 SH-431.15



## Codes/Standards Applicable

Product meets or exceeds the following:

- ASME A112.18.1/CSA B125.1
- CEC (1.8 & 1.5 gpm)
- DOE (2.5, 2.0, 1.8, & 1.5 gpm)
- Commonwealth of MA
- EPA WaterSense (2.0 & 1.5 gpm)



SPECIFICATIONS SUBJECT TO CHANGE WITHOUT NOTICE

DIMENSIONS SHOWN TO NEAREST 1/16"  
[DIMENSIONS SHOWN TO NEAREST 1MM]